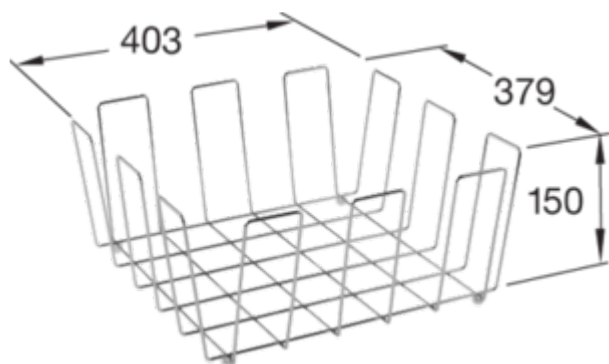


# ACCESSORIES, ACCESSORIES FOR SINKS, KITCHEN ACCESSORIES, KITCHEN SINK ACCESSORIES ACCESSORIES

## PRODUCT INFORMATION

. POSITION



Model	8K1400
Weight	1,75 kg
Description	Accessory set comprising: : a universal cutting board made of beech, a stainless steel salad basket

## COLOURS

8K140000 4047289857181